

AP-130-MNT-C2

Installation Guide

The AP-130-MNT-C2 ceiling rail adapter provides additional ceiling mounting options for the 130 Series wireless access point (AP). The ceiling mounting kit includes the following items:

- Adapter for Open (Silhouette) ceiling tile rails. The wider of the two adapters.
- Adapter for Flanged (Interlude) ceiling tile rails. The narrower of the two adapters.

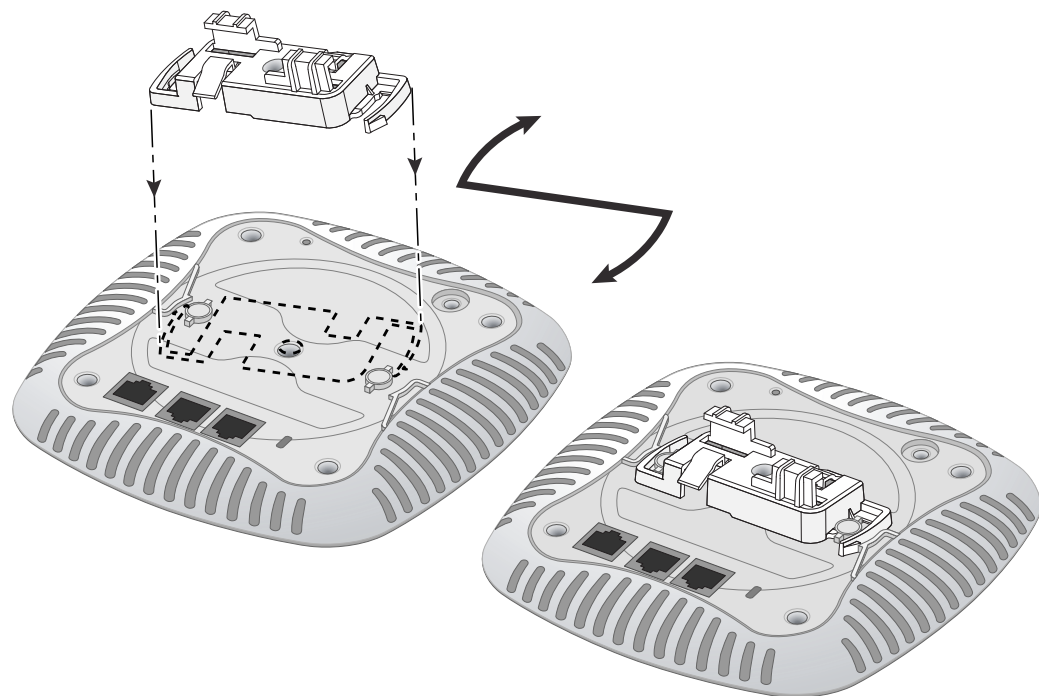
For complete information about selecting the location and setting up the AP, see the *130 Series Access Point Installation Guide*.

Installation

To attach either ceiling rail adapter to the AP:

1. Place the adapter against the back of the AP with the adapter at an angle of approximately 30 degrees to the tabs (see [Figure 1](#)).
2. Twist the adapter clockwise until it snaps into place in the tabs (see [Figure 1](#)).

Figure 1 Adapter Installation



After the adapter is attached to the AP, mount the AP on a ceiling tile rail as follows:

1. Align the AP with a ceiling tile rail, placing the AP so that the mounting tabs on the adapter are at an angle of approximately 30 degrees to the ceiling tile rail (see [Figure 2](#) or [Figure 3](#)).
Make sure that slack in connected cables is above the ceiling tiles.
2. Pushing toward the ceiling tile, rotate the AP clockwise until it clicks into place on the ceiling tile rail (see [Figure 2](#) or [Figure 3](#)).

Figure 2 *Open Rail Installation*

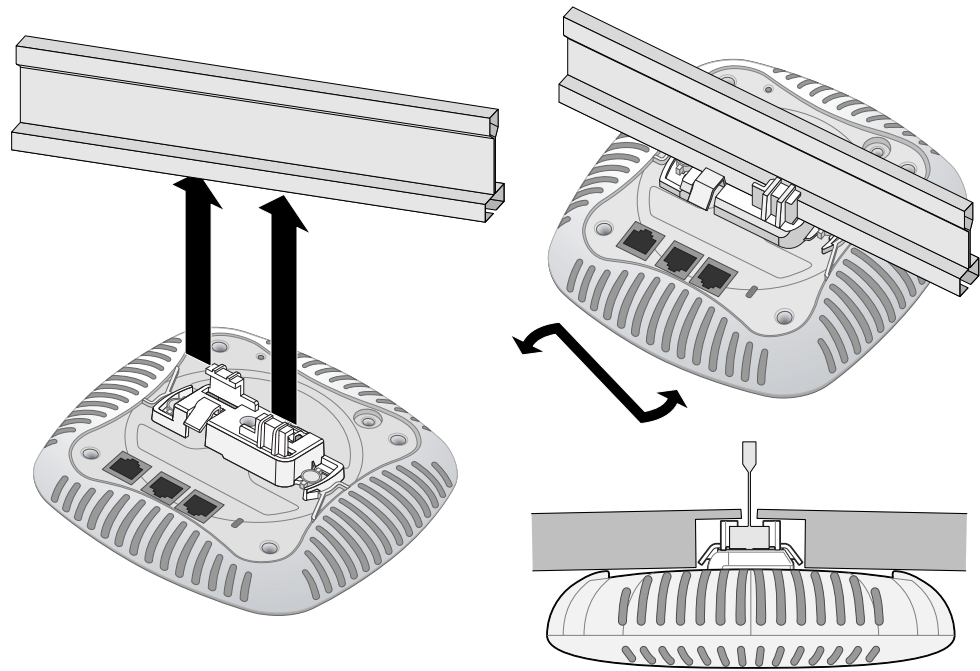


Figure 3 *Flanged Rail Installation*

